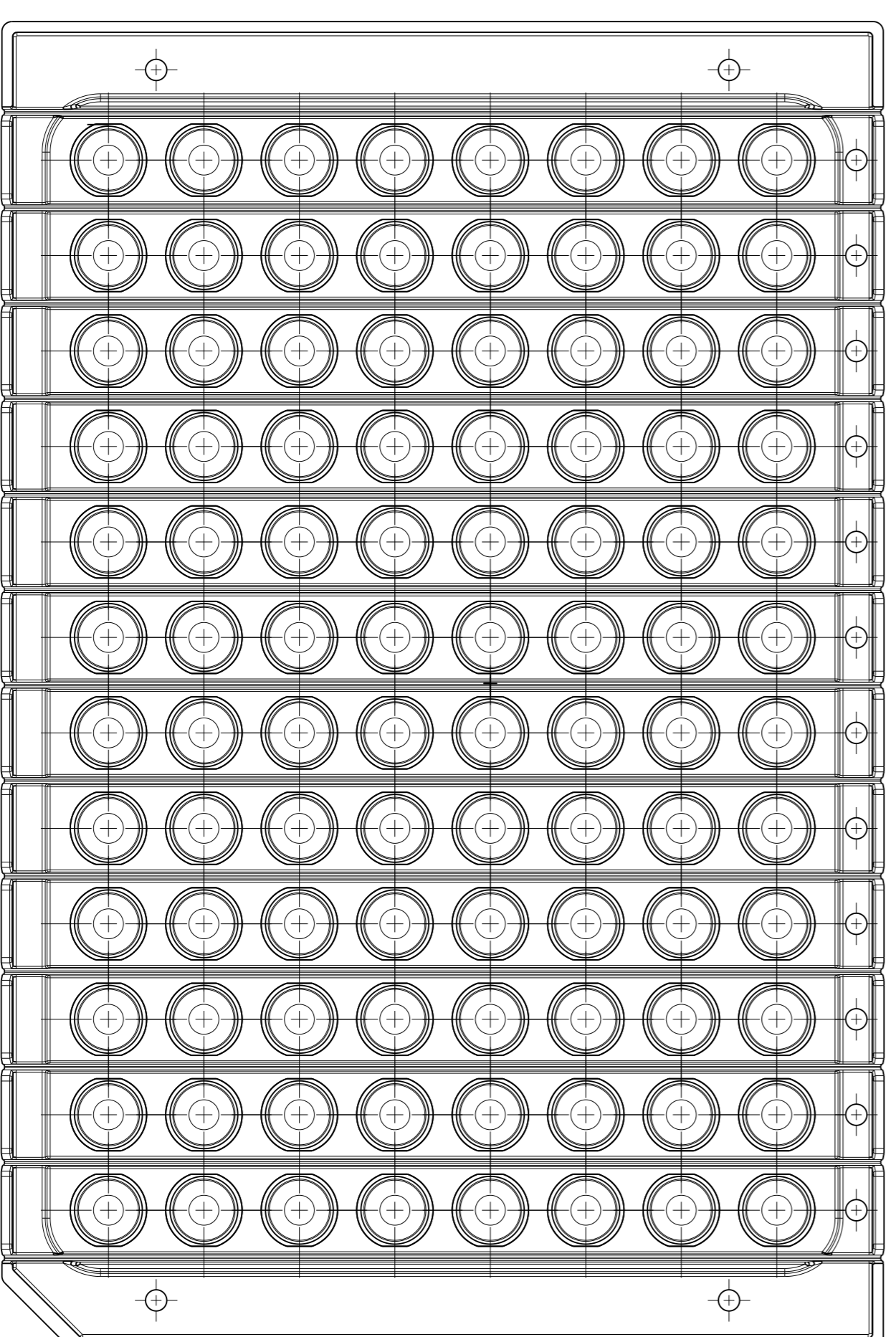
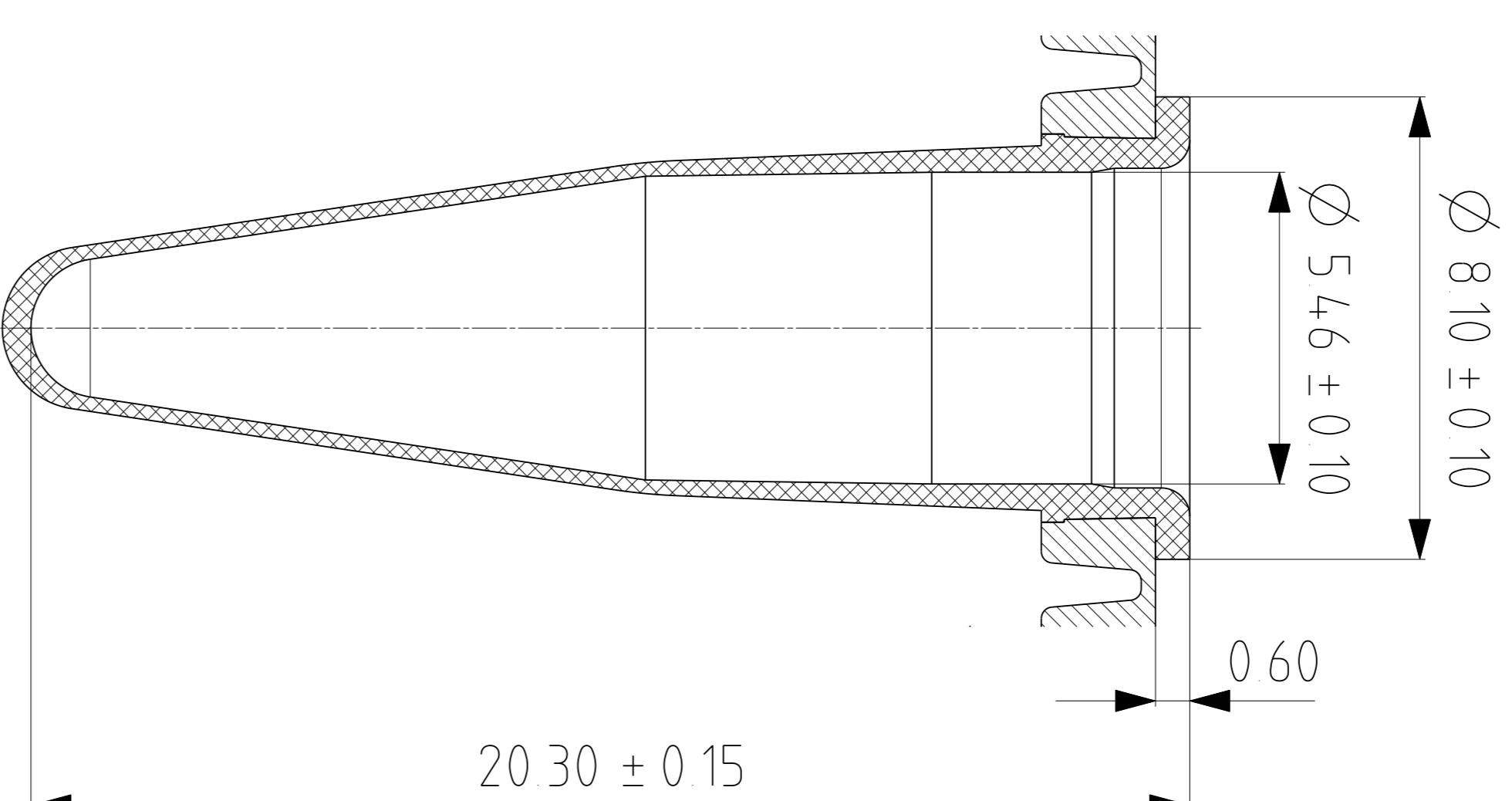
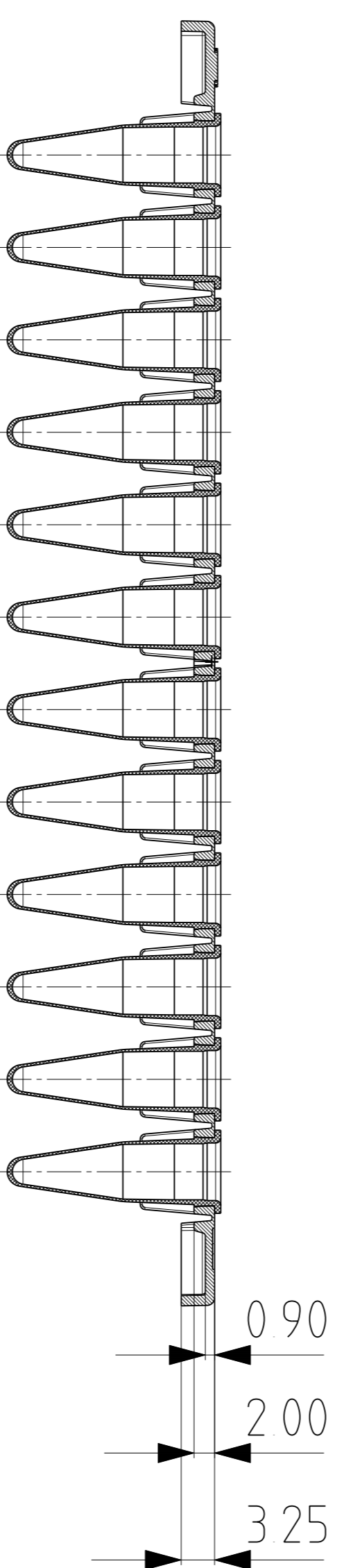
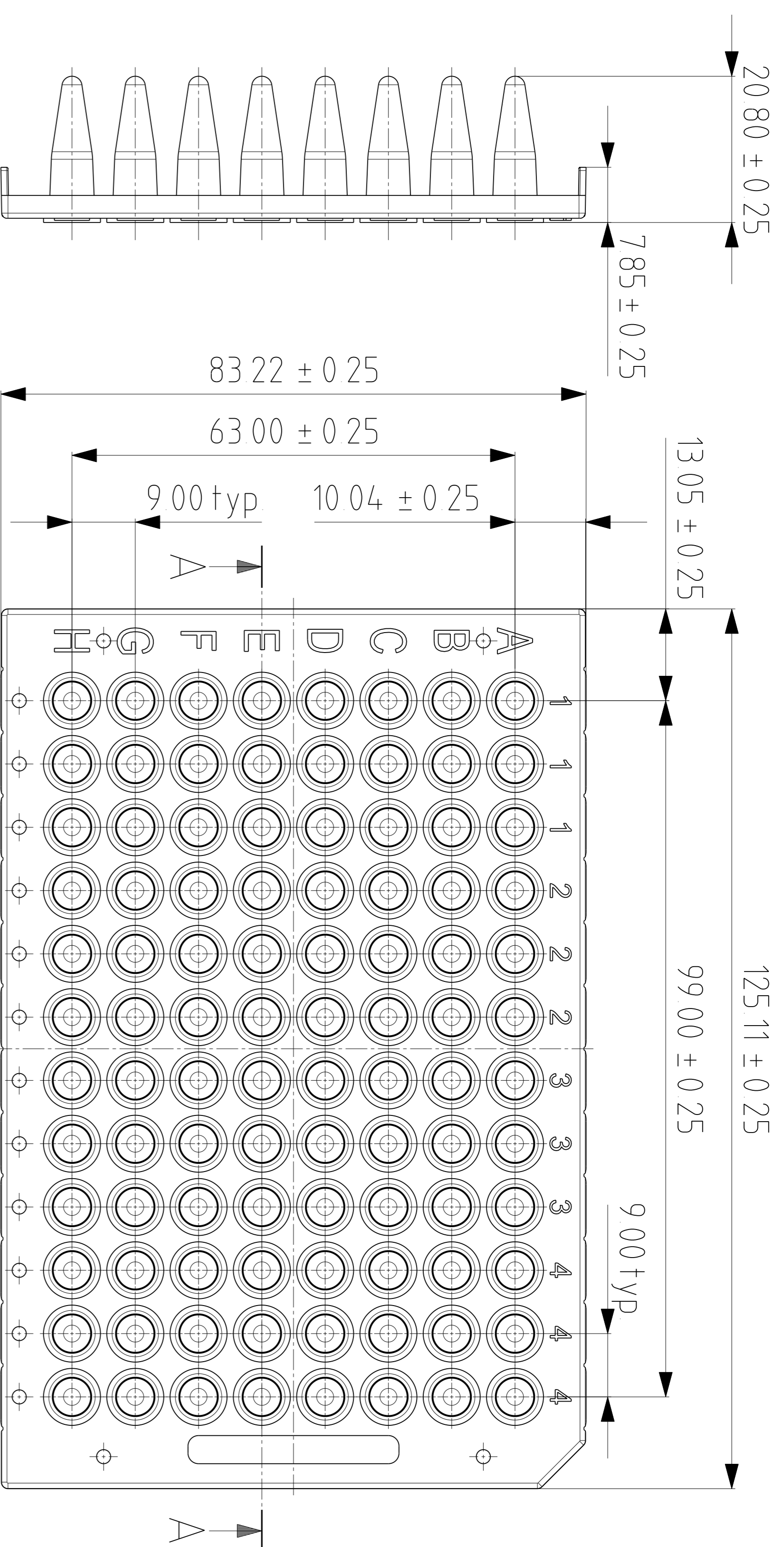



This drawing under any technical alteration relating reproduction or used for manufacture without written permission. Upon receipt of which it is the user's responsibility to seek confirmation of any dimensions and production references.



ISSUE	DATE	DRAWN		TITLE	
		ZOLTAN E		Breakaway plate	
		DATE		MARKETING drawing	
		16 06 2011			
		CHECKED			
		PAUL D			
		DATE		DRAWING No	
				1 OF 1	
		SCALE		ISSUE	
		2:1			
					
CUSTOMER: CUSTOMER DRG No: MATERIAL: TOLERANCES: GENERAL TOLERANCES (UNLESS OTHERWISE STATED): (ALL DIMENSIONS IN MILLIMETERS)					
DO NOT SCALE IF IN DOUBT ASK					
ASSIGNMENT: DATE: ISSUE:					